

Accessory Installation Guide Pneumatic Chuck Kit for BenchTurn 7000

Accessory Name	Pneumatic Chuck Kit
Accessory P/N	011109
Applicable to	BenchTurn 7000

1 Additional Requirements

To complete this installation you also require:

1. Scissors or cutter
2. Plastic tubing cutter (for square cuts)
3. Small Philips head screwdriver
4. 14 mm Wrench
5. 38 mm – 42 mm Spanner wrench
6. 55 mm – 62 mm Spanner wrench

2 Unpacking Instructions

1. Remove the pneumatic chuck assembly from the container.
2. Clean off excess oil and grease.
3. Cut the ties used to bind the air hoses.

The complete part set is shown below.



3 Remove the Original Chuck

1. Loosen the three bolts on the chuck plate and remove the original chuck mounted on the lathe.



2. Hold the pneumatic chuck while pushing the orange and blue hoses through the lathe spindle head.



3. Remove the collar from the spindle using spanner wrenches.



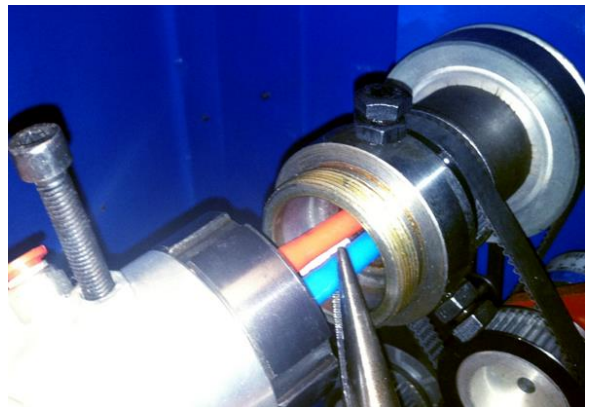
4. Using the tubing cutter, cut the two hoses approximately one-half inch longer than the end of the threaded spindle tube.



5. Tighten the bolts and locknuts.



6. Lubricate the cut end of the hoses using soapy water or light pneumatic lubricant to make it easier to slide the air valve stems onto the hoses. Do not use oil-based lubricant.
7. Push both tubes onto the air valve stems.



8. Tighten the spanner nut on the air valve.



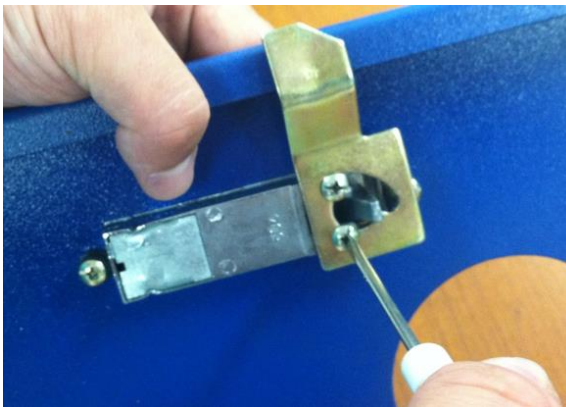
9. Remove the side cover from the left side of the BenchTurn 7000 housing.



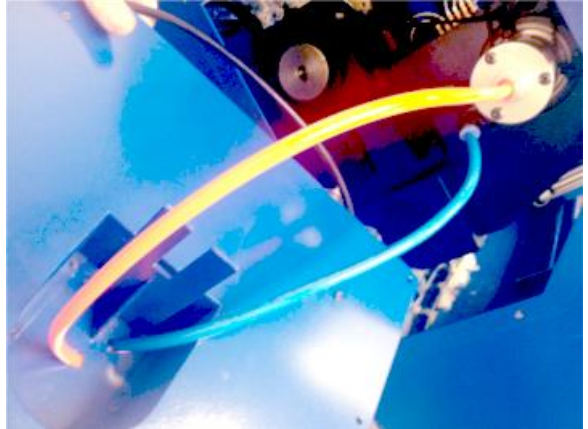
10. Attach the pneumatic door in place of the removed side cover.



11. If necessary, exchange the door latch bracket. To do so, remove the door latch bracket from the old side cover and install it on the new door.



12. Attach the orange and blue air hoses to the pneumatic valve and pass their other ends through the new side cover (supplied in the kit) as shown.



13. Mount the side cover on the lathe, making sure that the stud indicated in the picture slides between the two fingers on the side cover.



The picture below shows the stud in place.

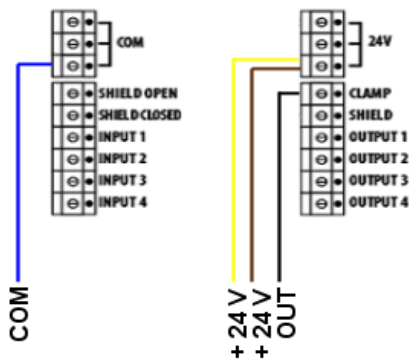


14. Cut the hoses and insert into the solenoid valve.
15. Connect the building's air supply to the regulator.



4 Connecting the Wiring

1. Connect the wires to the I/O panel at the side of the machine as outlined in the graphic and table below.



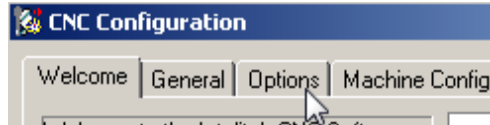
From Air Chuck Kit	To Machine I/O Panel
COM (Blue)	COM
+ 24 V (Yellow/Green)	24 V
+ 24 V (Brown)	24 V
OUT (Black)	CLAMP

5 Configure the Software

1. Click **Start** → **All Programs** → **CNCBase for Intelitek CNC** → **CNC Configuration**.



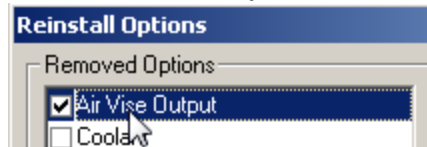
2. Click the **Options** tab.



3. Click **Reinstall**.



4. Select **Air Vise Output**.



5. Click **Reinstall**.



6. Click **OK** to close CNC Configuration.



6 Test the Installation

1. Click **Start** → **All Programs** → **CNCBase for Intelitek CNC** → **CNCBase for Intelitek CNC**.
2. Click and then re-click the Chuck icon in the side toolbar. Ensure that the air chuck opens and closes as expected.



Installation complete.